

# RM/RC



## Size 16 solid machined contacts for TRIM TRIO connectors

### Description

Size 16 RM/RC .063" (1.6mm) diameter contacts are precision solid machined crimp snap-in pin and sockets for heavy duty top performance requirements.

Springs on both contacts are made of spring-tempered, heat-treated, beryllium copper.

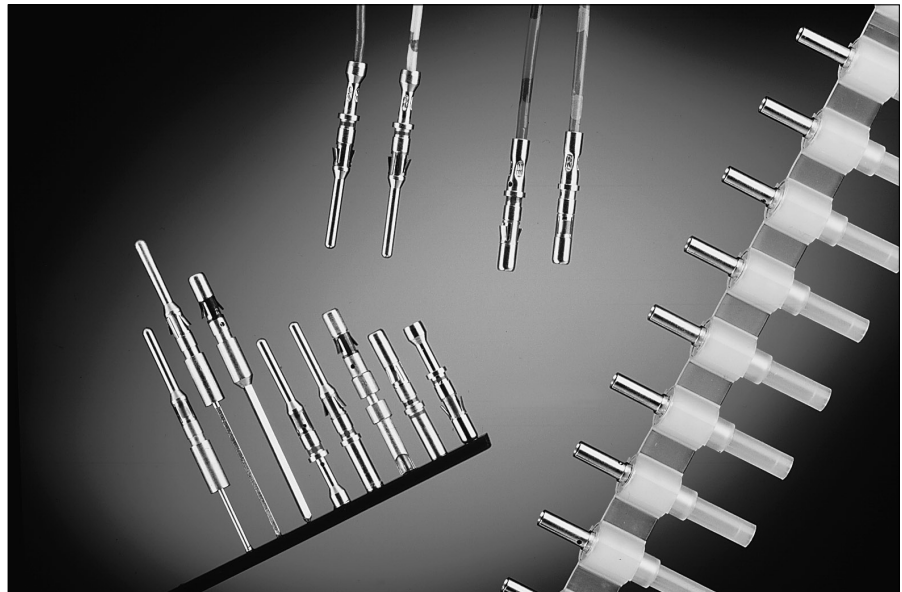
The socket inner spring supplies high contact pressure to ensure low-resistance contact between pin and socket. The socket contact features closed entry to prevent probe damage. Crimp barrels have insulation grips for vibration support and are provided with a cable stop and inspection hole.

### Features and benefits

- Made from high conductive copper alloy with gold or tin over nickel plate finish.
- Heat-treated beryllium copper locking springs assure proper locking and alignment of contacts in the housing.
- Closed entry design on RC socket contact to prevent probe damage.
- Contacts available in bulk packing

### Performance characteristics

Current rating:	13 Amp
Contact resistance:	≤ 3 mΩ
Contact retention in body:	110 N min.
Individual insertion force:	3.5 N max.
Individual withdrawal force:	0.55 N min.



### Construction

Contact body: High conductive copper alloy.

Outer spring: Tempered, heat-treated, beryllium copper.

Inner spring socket: Tempered, heat-treated, plated beryllium copper.

### Plating table

K (std) = Min. 0.4 μ Gold all over, over Nickel

J = Gold flash all over, over Nickel

N = Min. 0.75 μ Gold all over, over Nickel

T = 3 - 5 μ Tin all over, over Nickel

Other platings on request

### Connector accommodation

Any TRIM TRIO size 16 contact can be used in any contact position in any connector in the TRIM TRIO size 16 interconnection system.

- MS-M / MSG / MB
- SMS Qikmate
- UTG
- UTP
- UTO
- MBG

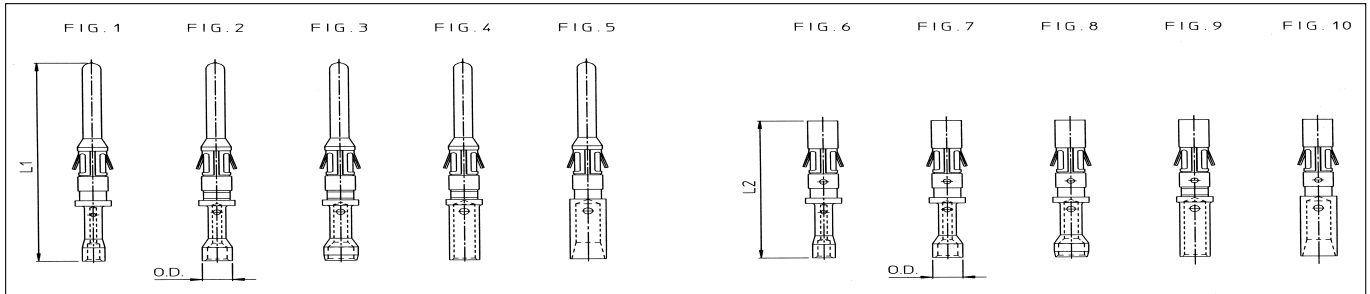
## How to order

	(K) RM (K) RC	16 16	M M	23 23	(GE1) (GE1)	K K	- -
<b>Contact type:</b>	<b>RM:</b> Male contact bulk packing <b>RC:</b> Female contact bulk packing <b>KRM:</b> Male contact on plastic carrier strip <b>KRC:</b> Female contact on plastic carrier strip						
<b>AWG Size:</b>	16, 20, 24, 28						
<b>Size 16:</b>	.0625" (1.6mm) Diameter contacts						
<b>Design variation:</b>	Crimp barrel						
<b>Grounding contact:</b>							
<b>Plating indication:</b>	See plating table						
<b>Packing quantity:</b>	<b>No digit (std) :</b> 50 pcs. bulk packing (RM/RC) : 2000 pcs on reel (KRM/KRC) <b>1000 :</b> 1000 pcs bulk packing (RM/RC)						

# RM/RC



## Standard RM/RC crimp contacts: Contact size 16 - Pin diameter 1.6mm (.063")



### Dimensional table

Part number			Fig.	Wire size		Max. wire dia.	Max. insul. dia.	Wire strip length	O.D.	L1	L2
Pin contacts	Fig.	Socket contacts Standard		AWG	mm <sup>2</sup>						
RM28M1(*)	1	RC28M1(*)	6	30-28	0.05-0.08	0.55	1.1	4.8	1,90	26,2	18.2
RM24M9(*)	2	RC24M9(*)	7	26-24	0.13-0.20	0.8	1.6		2,55		
RM20M13(*)	3	RC20M13(*)	8	22-20	0.32-0.52	1.18	1.8		2,92		
RM20M12(*)		RC20M12(*)					2.2	2,92			
RM16M23(*)	4	RC16M23(*)	9	20-16	0.52-1.50	1.80	3.2	7.1	2,55	27,2	19.7
RM16M23GE1(*)		RC16M23GE1(*)	9						3,10	26,2	18.2
RM14M50(*)	5	RC14M50(*)	10	16-14	1,5-2,5	2,05			3,10		
RM14M30(*)	5	RC14M30(*)	10	16-14	1,5-2,5	2,28	3,10	26,2	18.2		

(\*) Plating indication : See plating table

For machined contact reeled on plastic carrier: put "K" in front of part number e.g. KRM16M23K

For grounding contacts (1 mm longer) add "GE1" to the part number (e.g. RM16M23GE1K)

For last make contacts (0,3 mm shorter) add "GE3" to the part number (e.g. RM16M23GE3K)

## Special RM / RC contacts: Contact size 16 - Pin diameter 1.6mm (.063")

Part number			Type	Wire size		Post cross section A	Length out of TRIM TRIO cavity	Anti-rotating bushing part number
Pin contacts	Socket contacts			AWG	mm <sup>2</sup>			
RM16SE0(*)	RC16SE4(*)		Handsolder	16 - 20	1.50 - 0.52	ø1.7	3.5	-
RM20M12G4(*)	RC20M12G4(*)		Mini - wrap	28 - 30	0.08 - 0.05	ø 0.636	16.0	J1661

(\*) Plating indication : See plating table.

### Crimptooling table

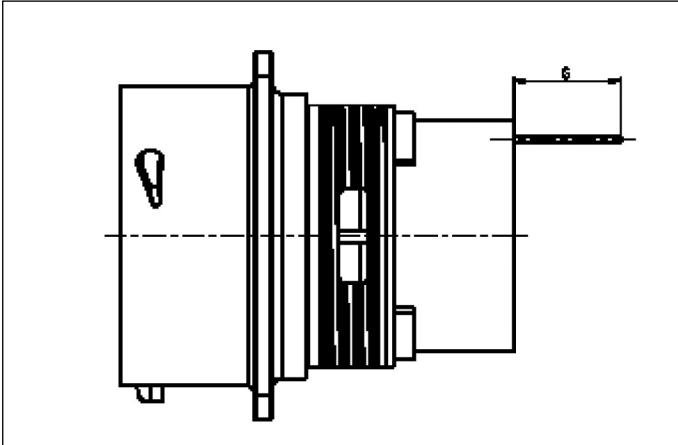
Size	Hand crimp tooling for loose contacts						Automatic crimp tooling for contacts on strip		Extraction tools
	Hand tools die set included	MH860		M10S1		M8ND	P100MAN (Press)		
		Positioner (not incl.)	Locator setting	Die set (not incl.)	Stop bushing (not incl.)	Die set (not incl.)	Left side applicator KRM/KRC (not incl.)	Stripper unit (not incl.)	
28-1	Y16RCM	MH86164G	4/6	S9	SL40	N24RT10	--	Consult Factory	RX2025GE1 or RX2025GE2 or RX16D11D1
24-9			5/6			S10	N20RT30		
20-12/13			5/7	S3D1			N16RT21		
16-23		6/8	SL39	N16RT25	MLSP2765				
16-GE1	or	MH86186	--	S3-14	SL39	--	--	--	--
14-50	AF8 + TP120	--	--	--	--	--	--	--	--
14-30		--	--	--	--	--	--	--	--

For detailed information on crimp tooling : See crimp tooling section

# RM/RC



## Nominal length (dim G) of dipsolder contacts out of connector (contacts to be ordered separately)



## UTP0 / UTG0 wall mounting receptacle connectors

Connector size	Pin contact		Socket contact		
	RM20M12E8*	RM20M12E83*	RC20M12E8*	RC20M12E83*	RC20M12E84*
All sizes	5.2	10.3	5.2	10.4	13.9

\* Plating indication: See (plating table)

## UT00 wall mounting receptacle connectors

Connector size	Pin contact		Socket contact		
	RM20M12E8*	RM20M12E83*	RC20M12E8*	RC20M12E83*	RC20M12E84*
10	4	9.1	3.3	8.5	12.1
12	4	9.1	3.3	8.5	12.1
14	4	9.1	3.3	8.5	12.1
16	4	9.1	3.3	8.5	12.1
18	4	9.1	3.3	8.5	12.1
20	4.1	9.2	1.8	7	10.6
22	4.1	9.2	1.1	6.3	9.9
24	4.1	9.2	1.1	6.3	9.9

\* Plating indication: See (plating table)

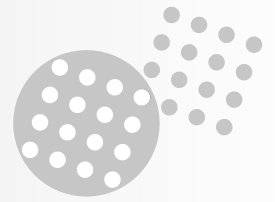
## UT07 jam nut receptacle connectors

Connector size	Pin contact		Socket contact		
	RM20M12E8*	RM20M12E83*	RC20M12E84*	RC20M12E85*	RC20M12E86*
10	4.1	9.2	4.65	7.15	7.95
12	4.1	9.2	4.65	7.15	7.95
14	4.1	9.2	5.35	7.85	8.65
16	4.1	9.2	4.65	7.15	7.95
18	4.1	9.2	4.65	7.15	7.95
20		4.85		3.4	4.2
22		4.85		2.7	3.5
24		3.35		1.3	2.1

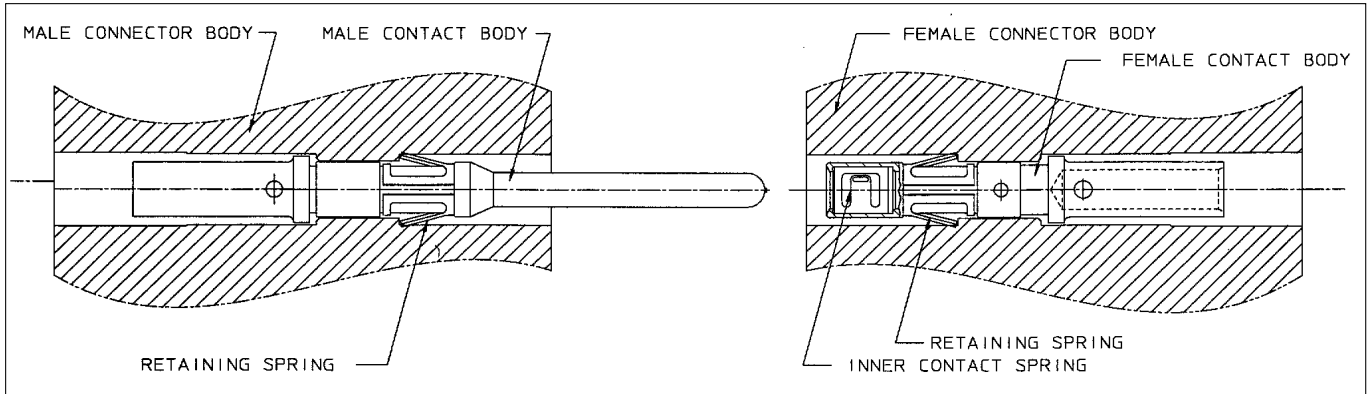
For recommended PC-Board hole lay out: Consult factory

\* Plating indication: See (plating table)

# RM/RC



## The RM/RC contact principle



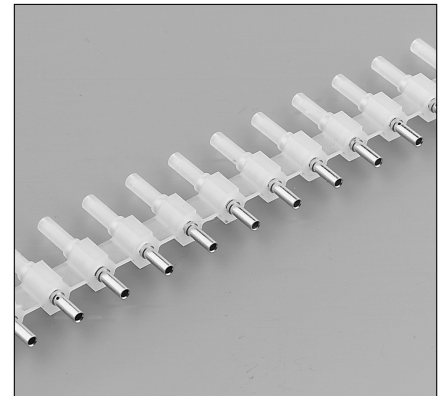
## The RM/RC contact packing



50 pcs bulk packing (standard)



1000 pcs bulk packing



Reeled contacts on plastic carrier (qty 2000 pcs)